



Masterlift 2.35 NxT Saa 260 VW

Electro-hydraulic twin-ram lift 3.5 t with swivel arm superstructure



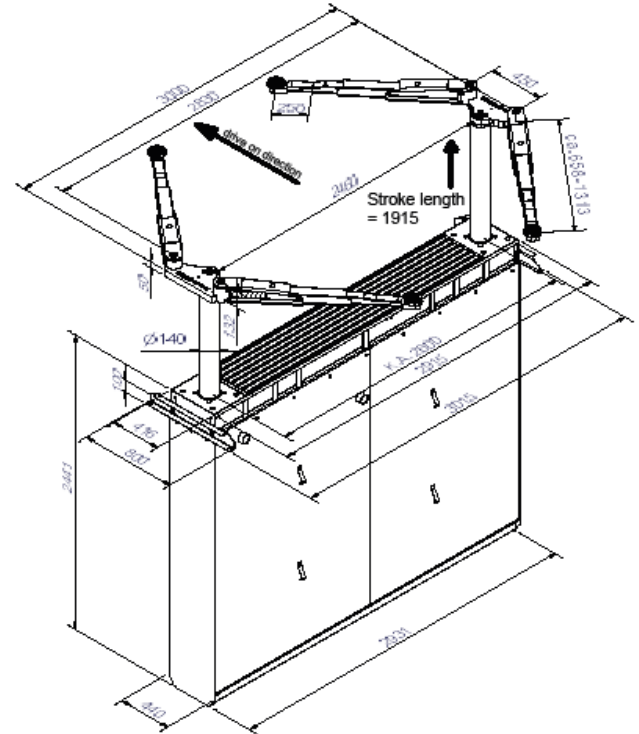
Order no.	Item no.	#	Part of the approval according to order no. 20012130-1/-2:
20012130-1	21214	1	Swivel arm superstructure 2.35 Saa 260 Universal, double telescopic lifting pads 16007 Ø50mm, pick-up height min. 95 mm / max. 174 mm
	12562	1	VW specification VAS 782 003A
	11103	1	Document holder
	11104	1	Set of 2 magnetic tool trays
	16010	4	Lifting pad extensions 50 mm - Ø50 mm 1 pc.
20012130-2	14051	1	Hydraulic unit ML 2.35 NxT, Ø140 mm, PD 2600, stroke 1915 mm, with aluminium cover and 1 set of piston support floor plates
	11063	1	Set of cables 10 m
	12033	1	Ecological hydraulic fluid 10 ltr

The double telescopic swivel arms convince with a **very low minimum height**, which even makes it possible to lift low-profile sports cars without any problems.

Tyres and rims are protected in the best possible way by the rounded design of the superstructure's chassis. The **internal arm locking system** installed as standard reliably protects against external influences.

The **strong 140 mm diameter cylinders** are designed for long-lasting functionality and further round off the high quality level, which ensures **low maintenance requirements**. Even in the event of a power blackout, the lift can still be lowered without any problem thanks to the pneumatic emergency lowering system.

The Masterlift 2.35 NxT Saa is perfectly completed by a **control system that is both visually and technically convincing**.



Standard colours:

Base plate: RAL 7012

Arms: RAL 7012

Options:

Wide range of extra pads, depending on vehicle type

Installation variants:

On-floor installation

Ceiling installation

Optionally available:

Self-supporting installation, without load on the bottom of the sub-casing

Not included in the scope of approval, please order separately:

Frame:

Standard: completely hot-dip galvanized

Sub-casing:

Standard: painted

Optional: hot-dip galvanized or plastic-coated

Can be adapted to existing cassettes.