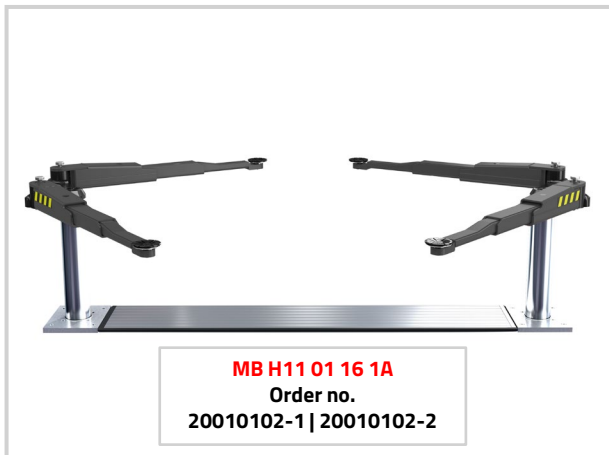




Masterlift 2.35 NxT Saa 260 MB

Electro-hydraulic twin-ram lift, 3.5 t with swivel arms

The product meets the requirements for workshop equipment for MB service workshops and is recommended by Mercedes Benz with approval no. H11 01 16 1A



MB H11 01 16 1A
Order no.
20010102-1 | 20010102-2

Order no.	Item no.	#	Part of the approval according to order no. 20010102-1/-2:
20010102-1	21214	1	Superstructure ML 2.35 Saa 260- Universal incl. lifting pad
	12172	1	M, Mercedes approval and paint type: "S", RAL 7015 grey
	11103	1	Document holder AUTOPSTENHOJ
	11104	1	Magnetic tool tray set, 1 set = 2 pcs.
20010102-2	14051	1	Lifting unit ML 2.35 NxT, Ø140, PD 2600, stroke 1915 mm
	12033	1	Ecological hydraulic fluid 10 ltr.
			Not part of the approval (options)
	11063	1	Set of cables 10 m
	14097	1	Cassette ML PD 2600

The double telescopic swivel arms convince with a **very low minimum height**, which even makes it possible to lift low-profile sports cars without any problems. Tyres and rims are protected in the best possible way by the rounded design of the superstructure's chassis. The **internal arm locking system** installed as standard reliably protects against external influences.

The **strong 140 mm diameter cylinders** are also designed for long-lasting functionality and further round off the high-quality level, which ensures **low maintenance requirements**. Even in the event of a power blackout, the lift can still be lowered without any problems thanks to the pneumatic emergency lowering system. The Masterlift 2.35 NxT Saa is perfectly completed by a **control system that is both visually and technically convincing**.

Standard color:

Base plate: RAL 7016
Arms: RAL 3020 - optionally with KTL coating

Options:

Wide range of extra pads, depending on vehicle type
Special colours on request

Frame:

Standard: completely hot-dip galvanized

Sub-casing:

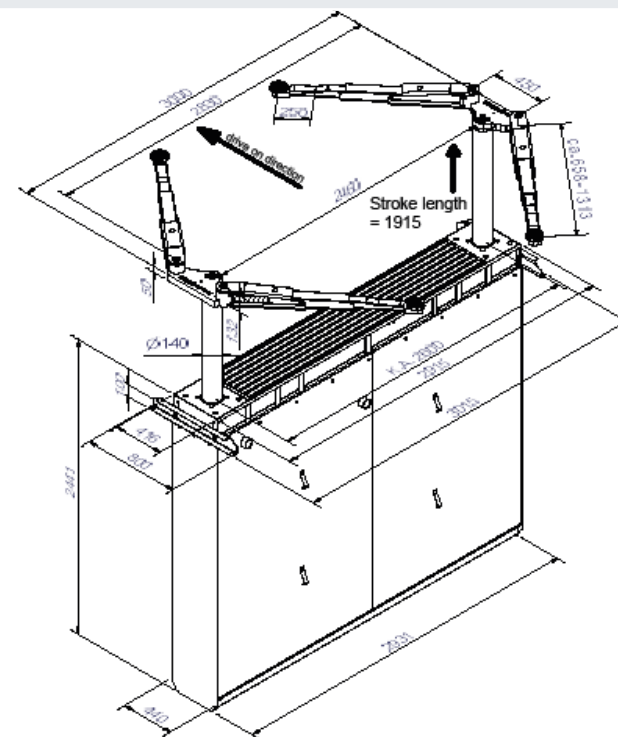
Standard: painted
Optional: hot-dip galvanized or plastic-coated

Installation variants:

On-floor installation
Ceiling installation

Versions:

Synchronisation and safety via synchronisation bar and toothed rack
Self-supporting installation, without load on the bottom of the sub-casing



Masterlift 2.35 NxT Saa – H11 01 16 1A