

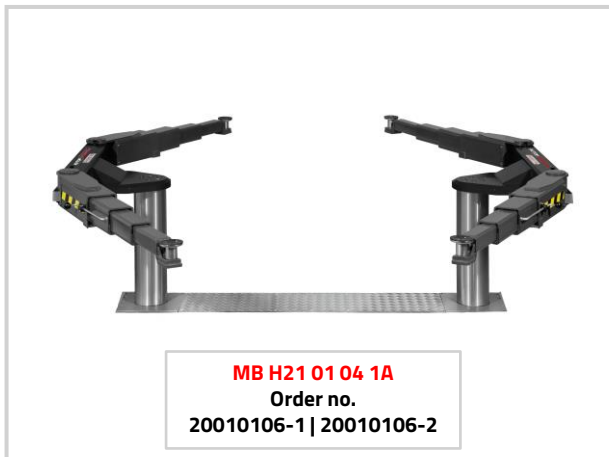


Biglift 2.65 Saaa 265 MB

Electro-hydraulic twin-ram lift, 6.5 t with superstructure with arms

The product meets the requirements for workshop equipment for MB service workshops and is recommended by Mercedes Benz with approval no. H21 01 04 1A

Biglift 2.65 Saaa 265 – H21 01 04 1A



Order no.	Item no.	#	Part of the approval according to order no. 20010106-1/-2:
20010106-1	21210	1	Superstructure BL 2.65 Saaa 265 incl. lifting pads
	12172	1	M, Mercedes-approval and painting - S - grey RAL 7015
	11103	1	Document holder AUTOPSTENHOJ
	11104	1	Magnetic tool tray set, 1 set = 2 pcs.
20010106-2	10287	1	Hydraulic unit BL 2.65, Ø213, PD 2650, stroke 1860 mm
	12036	1	Ecological hydraulic fluid 17 ltr.
			Not part of the approval (options)
	11063	1	Set of cables 10 m
	12106	1	Cassette PD 2650 BL

The triple telescopic swivel arms convince with a **non-standard lifting area**, which even makes it possible to lift commercial vehicles and large cars without any problems.

The **internal arm locking system** installed as standard reliably protects against external influences. An integrated mechanical safety ratchet provides additional safety for all work processes.

The **strong 213 mm diameter cylinders** are also designed for long-lasting functionality and further round off the high-quality level, which ensures **low maintenance requirements**. Even in the event of a power blackout, the lift can still be lowered without any problems thanks to the pneumatic emergency lowering system.

The Biglift 2.65 Saaa 265 is perfectly completed by a **control system that is both visually and technically convincing**.

Standard color:
RAL 7015 grey

Options:
Large program of extra pads, depending on type of vehicle

Installation:
Superstructure on floor
Superstructure recessed with covers
Ceiling installation

Steel cassette:
Standard: Primed
Optional: Hot-dip galvanised or plastic-coated

