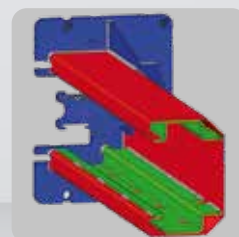


PDCH 55C
PDCH 45C



Electro-hydraulic two post lifts with top connection



Internally reinforced column structure for little bending and internal cable guiding



Four **three-section symmetrical** arms.

Possibility of installation in symmetrical or asymmetrical version.



Realignment of the two carriages using metal cables that guarantee excellent synchronisation.

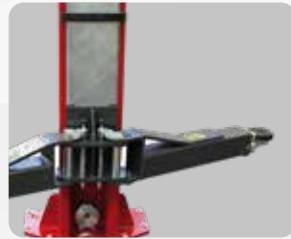
Standard height of two-post connection: 4,050 mm.

Available versions (with optional column extension set):

- **V**: Specific for vans (Height of two-post connection: 4,620 mm).
- **XV**: Specific for vans and very high vehicles, extra-high version (Height of two-post connection: 5,220 mm).

PROTECTIONS

Rubber door protections.
Toothed sector arm
rotation stop system



SAFETY

Electro magnet safety
release **24V**



INCLUDED ACCESSORIES

- Safety stop-bar included as standard.
- Two set of extension pads
h= 80 mm and h= 180 mm

OPTIONAL ACCESSORIES



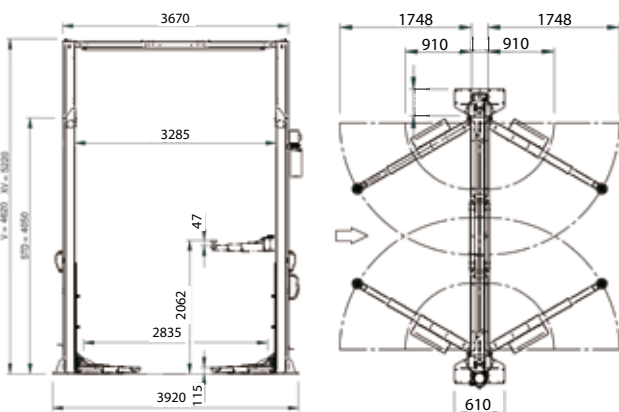
See separate catalogue for further accessories.

TECHNICAL DATA

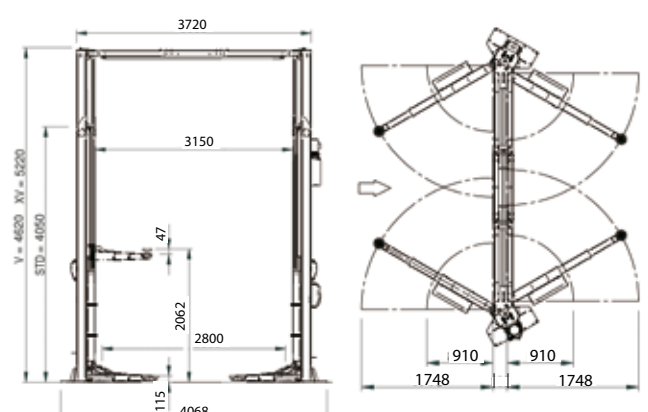
Model	PDCH 45C	PDCH 55C
Lift capacity	4500 kg	5500 kg
Lifting time	45 s	
Three phase motor	400/230V - 3kW - 3Ph - 50/60Hz	
Single phase motor	230V - 3kW - 1Ph - 50/60Hz	
Max. lifting height	2062 mm	
Max. locking position	1957 - 2037 mm	
Lift minimum height	115 mm	
Height connection	4050/4620/5520 mm	

DIMENSIONS

PDCH45C Symmetric Installation



PDCH55C Asymmetric Installation



The manufacturer reserves the right to modify the features of its products at any time.

Cod. DPSC000651A_07/2024



NEXION SPA - ITALY
www.sice.it - sice@sice.it



Designed in
ITALY