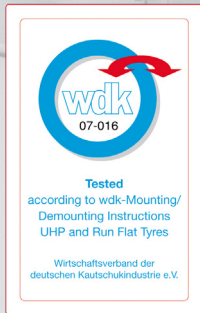


S 200A



Super-automatic “Lever-Less” tyre changer



- New LL tool head
- New turntable
- Bead pressing tool
- Dynamic bead breaking
- Lift (on request)
- Control console
- Footprint

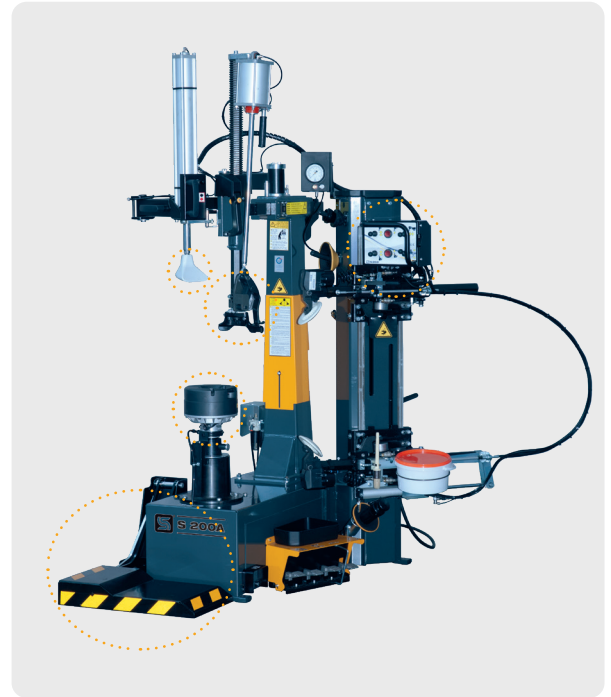
S 200A with wheel lift (option)

For up to 30” rims with new Lever-Less system

Tyre changer **with advanced Lever-Less system** for car, SUV and light-duty vehicles with **up to 30"** wheels and **NEW** more performing and pneumatically-actuated quick turntable **wheel clamping**.

The **new Lever-Less tool head** allows greater performance and eliminates the risk of rims or tyre damage thanks to the combination of different materials.

The wheel lifter (TOP or optional version) by those who wish to work ergonomically and with less fatigue has considerably increased. Thanks to its frontal position, it facilitates loading and unloading operations while remaining comfortably in the control area.



NEW LEVER-LESS

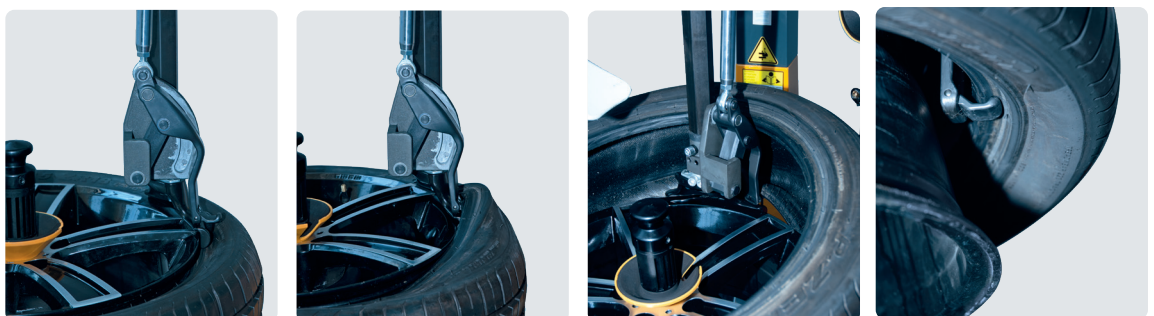
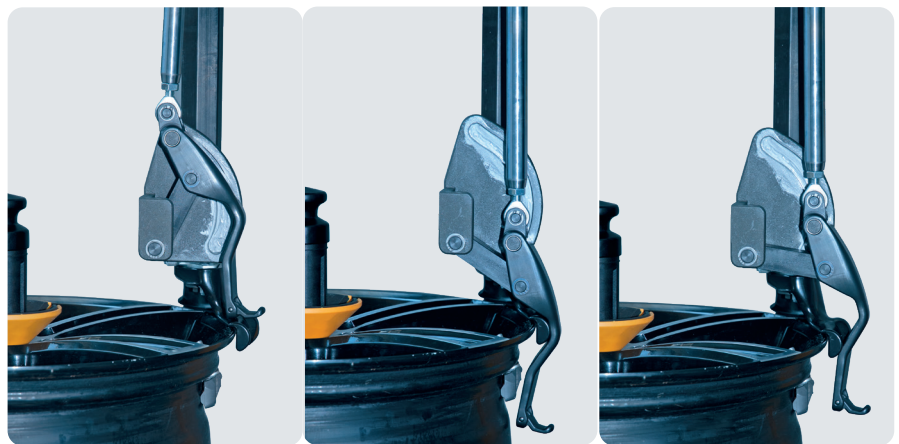
NEW



This **new Lever-Less tool head** is the result of Sice's experience in safeguarding daily work on ever more aesthetically pleasing rims and increasingly tough tyres. Thanks to the intuition of using different technologies, a new version of **Lever-Less tyre changer** was born, combining the practicality of the body, made of technological plastic, with the toughness of steel in a new guise.

The plastic body makes it possible to forget about replacing the plastic guards used on other solutions and any contact between the tool head and rim will not result in scratches.

The **new steel demounting system** includes the **spring-loaded coupling system** (S1000 - Patented) and an **extended body to facilitate "capturing" any bead**. The **extended part on the tool head body** completes this ingenious **Lever-Less** unit, thus facilitating tyre mounting.

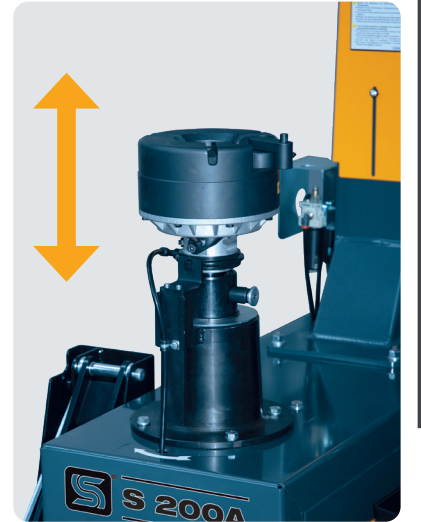


NEW CENTER CLAMPING

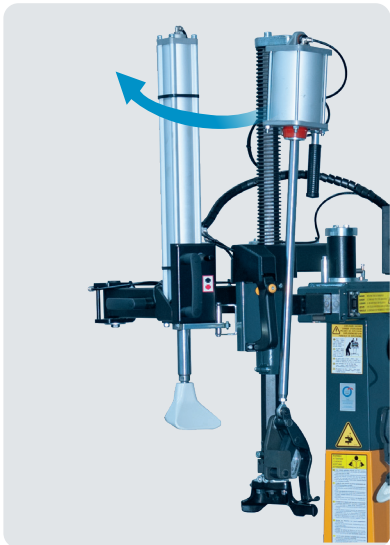
NEW

The **NEW** pneumatic tyre quick-clamping enables precise and fast wheel clamping.

No more fatigue when clamping wheels. Thanks to the pedal control, the wheel **is immediately ready for demounting**. Wheel rotation is controlled by a 2-speed inverter motor. The center clamping with two working positions is a great innovation that allows comfortable use for any type of wheel.



BEAD PRESSING TOOL



The bead pressing tool, which comes as standard, **is extremely useful when demounting and mounting the most demanding tyres**. It always remains within reach thanks to the retention system that links it to the automatic side-opening arm.

DYNAMIC BEAD BREAKING

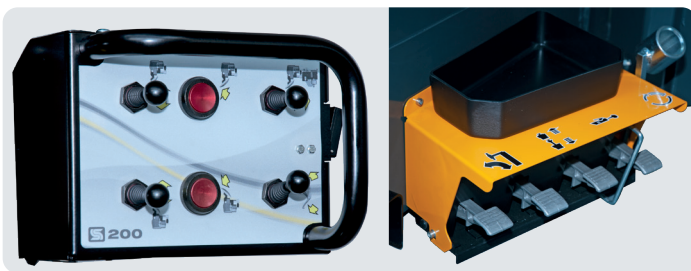
Double bead breaker with controlled penetration.

Dynamic bead breaking device with double mirrored bead breaker disc. Disc radial positioning is facilitated by an automatism that avoids any manual positioning by the operator.

Controlled penetration (Patented) Precision, rapidity and repeatability are guaranteed by the patented bead breaking system and by the perfectly synchronised and symmetrical motions of the two discs.

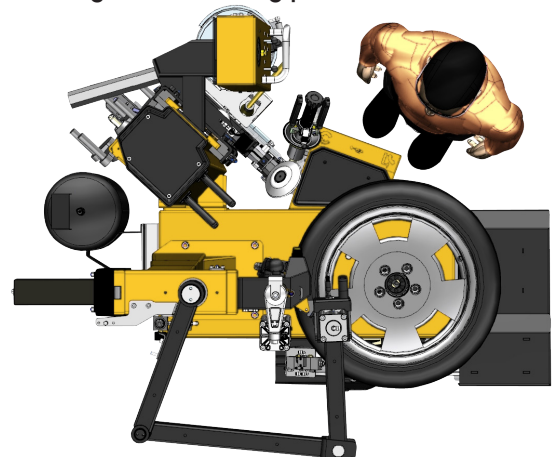
Quick second bead demounting procedure made possible by patented **disc movement, particularly suitable** with stiff sidewalls.

CONTROL CONSOLE AND PEDAL CONTROL

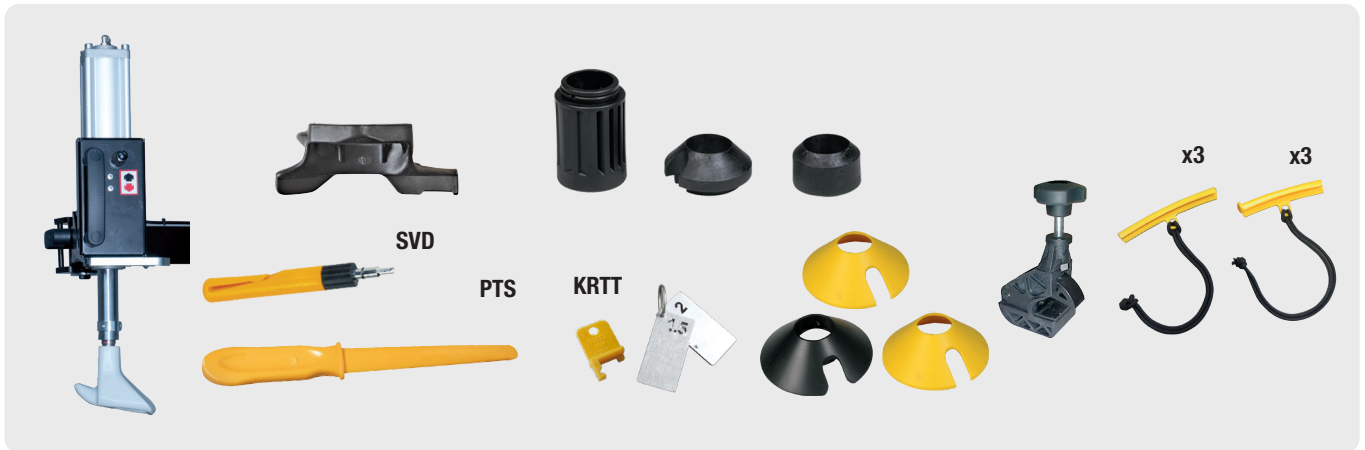


Multifunctional control console containing all working controls. Ideal for dynamic bead breaking and for the possibility of match-mounting tyre and rim thanks to the two dual control discs. The side pedal control has a minimal footprint and efficient operation. Now with added pedal for wheel clamping.

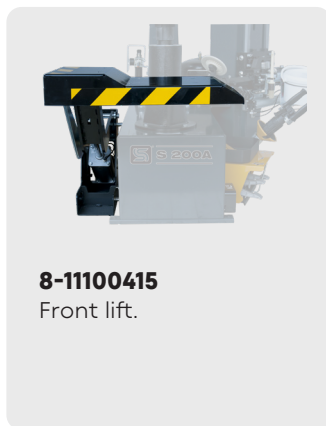
Thanks to the technical solutions adopted, the S 200A has a very compact footprint. All controls can be reached comfortably while remaining in the working position.



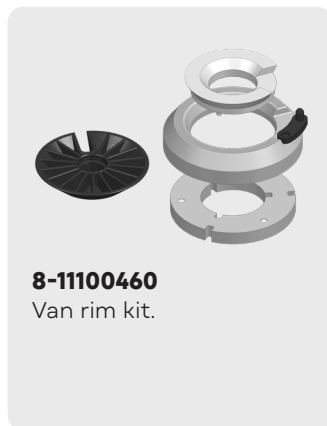
ACCESSORIES SUPPLIED AS STANDARD



RECOMMENDED ACCESSORIES



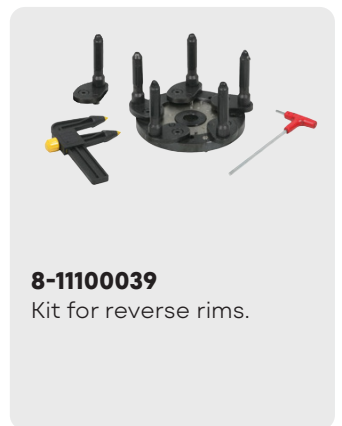
8-11100415
Front lift.



8-11100460
Van rim kit.



8-11100416
Compressed air
tubeless inflation
device for wheel bead
insertion.



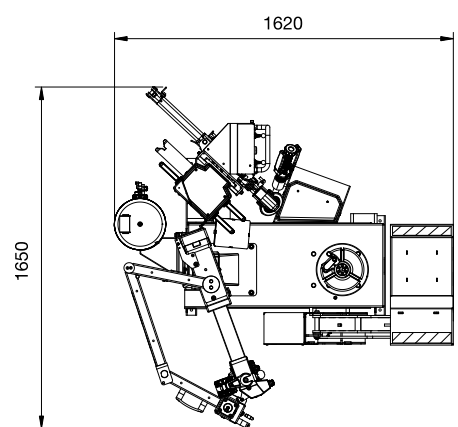
8-11100039
Kit for reverse rims.

For other accessories, please refer to the relevant catalogue

TECHNICAL DATA

Power supply	230V - 1Ph - 50/60Hz Motoinverter
Clamping capacity	12" ÷ 30"
Maximum wheel diameter	1143 mm (45")
Maximum wheel width	381 mm (15")
Machine weight	490 kg
Machine height	2135 mm (84")
Machine width	1650 mm (65")
Depth	1620 mm (66") with lift 1400 mm (55") without lift

DIMENSIONS



The manufacturer reserves the right to modify the features of its products at any time.