

S 44 M



For Mobile Service



S 44 M + BPL (optional)

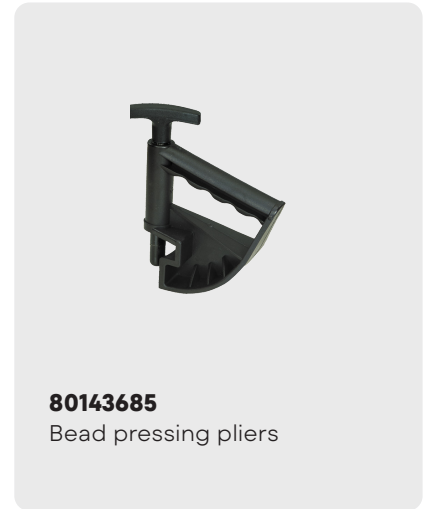
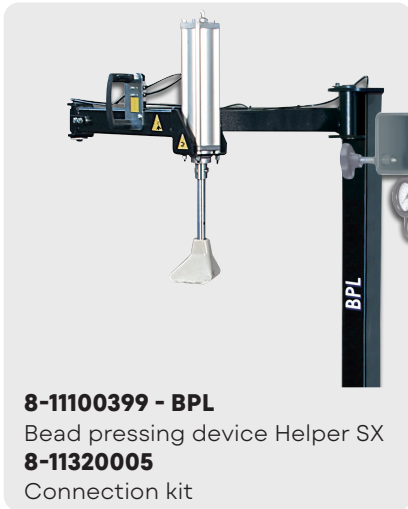
The new 24" 12V power supply tyre changer, specially designed for Mobile Service.



ACCESSORIES SUPPLIED AS STANDARD



RECOMMENDED ACCESSORIES



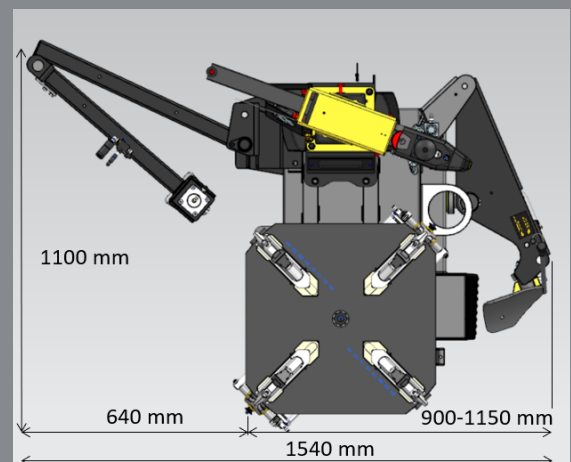
For other accessories, please refer to the relevant catalogue

TECHNICAL DATA

Outside clamping capacity	10" ÷ 24"
Inside clamping capacity	13" ÷ 26"
Max. wheel diameter	1035 mm
Height above the ground	690 mm
Max. wheel width	385 mm (15")
Bead-breaking blade opening	3" / 15" (385 mm)
Max. self centering torque	1000 Nm
Number of bead breaker blade positions	2
Double acting braking cylinder	✓
Bead breaking force on tire	15,5kN
Dv version rotation speed	8 Rpm
Extractable pedal assembly	✓
Weight without packaging	290 kg
Version for mobile service	✓
Pressure range	8 ÷ 10 bar
Version	12V

DIMENSIONS

MAX HEIGHT = 2020 mm



The manufacturer reserves the right to modify the features of its products at any time.